

**Gift Box**  
 Assembled Size: 200 x 150 x 50mm Flat Size: 437 x 460mm

Place your design within 'Artwork' layer and delete 'Guide' layer once finished.  
*Failure to remove guide layer will result in template printing over artwork design.*

**Please ensure:**

- Colour: CMYK (RGB will be converted)
- Fonts: Embedded or converted to outlines
- Image Resolution: 300dpi or higher
- Crop marks and 3mm bleed are included
- Accepted format: PDF (one file)

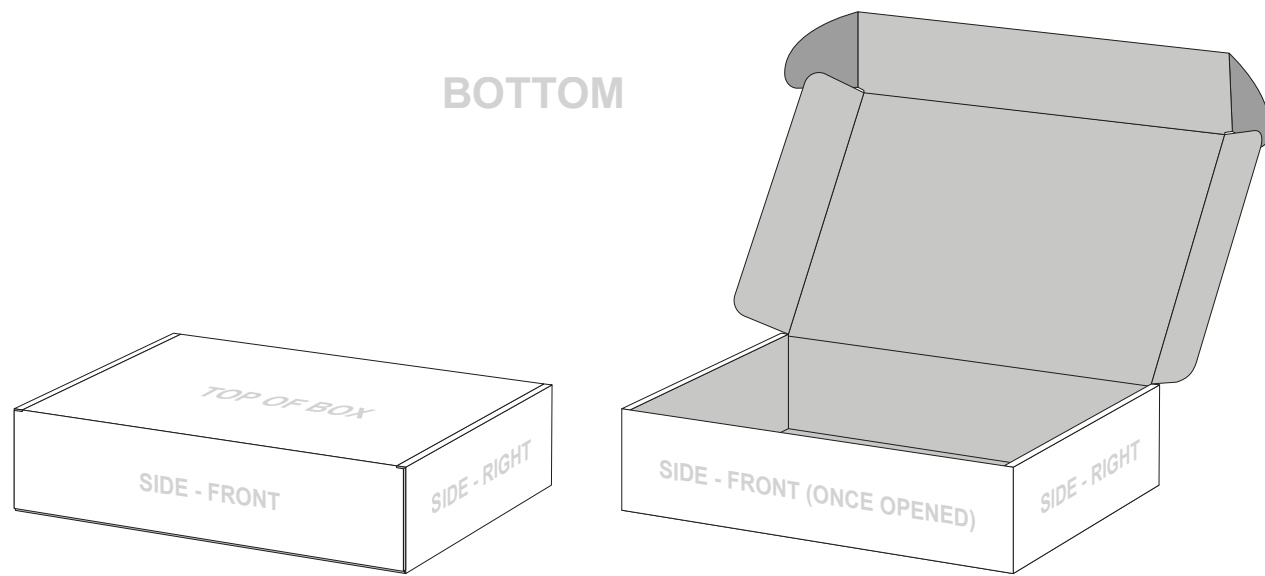
**Finished Size** - This is the finished size of the product once cut.

**3mm Bleed** - Please extend your artwork into the bleed if you are using full colour or imagery in the background. Anything within this area will be removed once cut.

**Aa Orientation** - Place artwork the same way up as text shown for orientation to be correct once assembled.

**Crease** - These lines will be creased to create folds. For best results do not place small text across these lines.

Please upload **one PDF** including two copies of artwork  
 - one with cutter guide visible and one without.



SIDE - FRONT (ONCE OPENED)